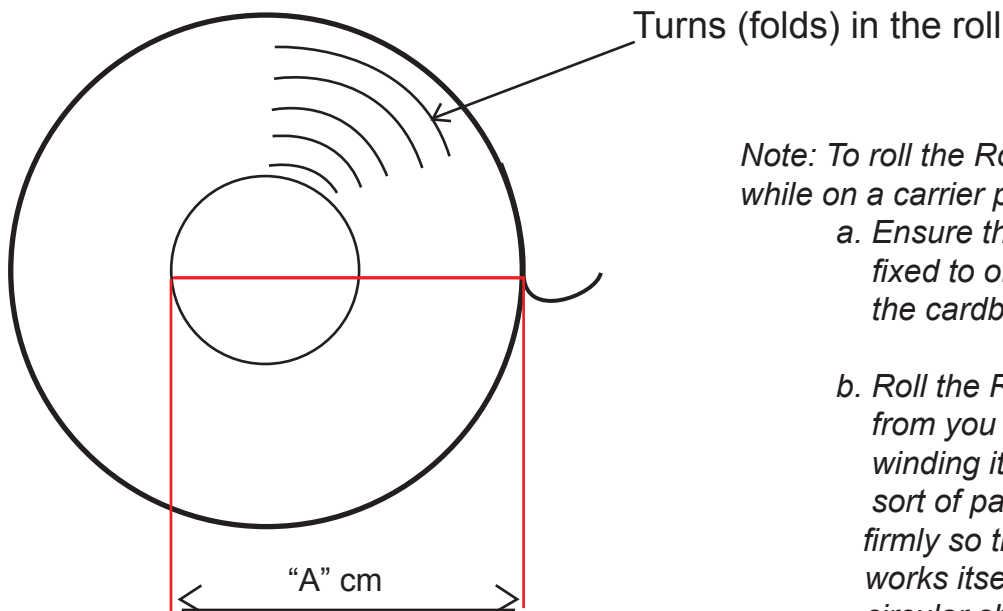




MEASURING ROLLS

1. The roll must be round (not squashed out of shape).
2. The roll must be wound tight.
3. Measure the distance from the opposite edge of the cardboard core to the outside leading edge of the roll (See diagram "A" cm).



Note: To roll the Roll of flooring up tight while on a carrier pipe do the following:

- a. *Ensure the inside cut edge is fixed to or held tightly around the cardboard core.*
- b. *Roll the Roll 20 -30 times away from you as though you were winding it up. While doing this sort of pat the rolls surface firmly so the sheet material works itself to a tighter form and circular shape*

FORMULA:

Number of Turns (folds) in the Roll x "A" cm x 0.0314 = "B" Lm'

EG. 15 turns x 20cm x 0.0314 = 9.42Lm (say a carpet)
 30 turns x 20cm x 0.0314 = 18.84Lm (say a sheet vinyl)

Test it first on a new roll that you know the meterage on so you hare happy you've got it right.

It should get within 30 - 50cm on a full roll.